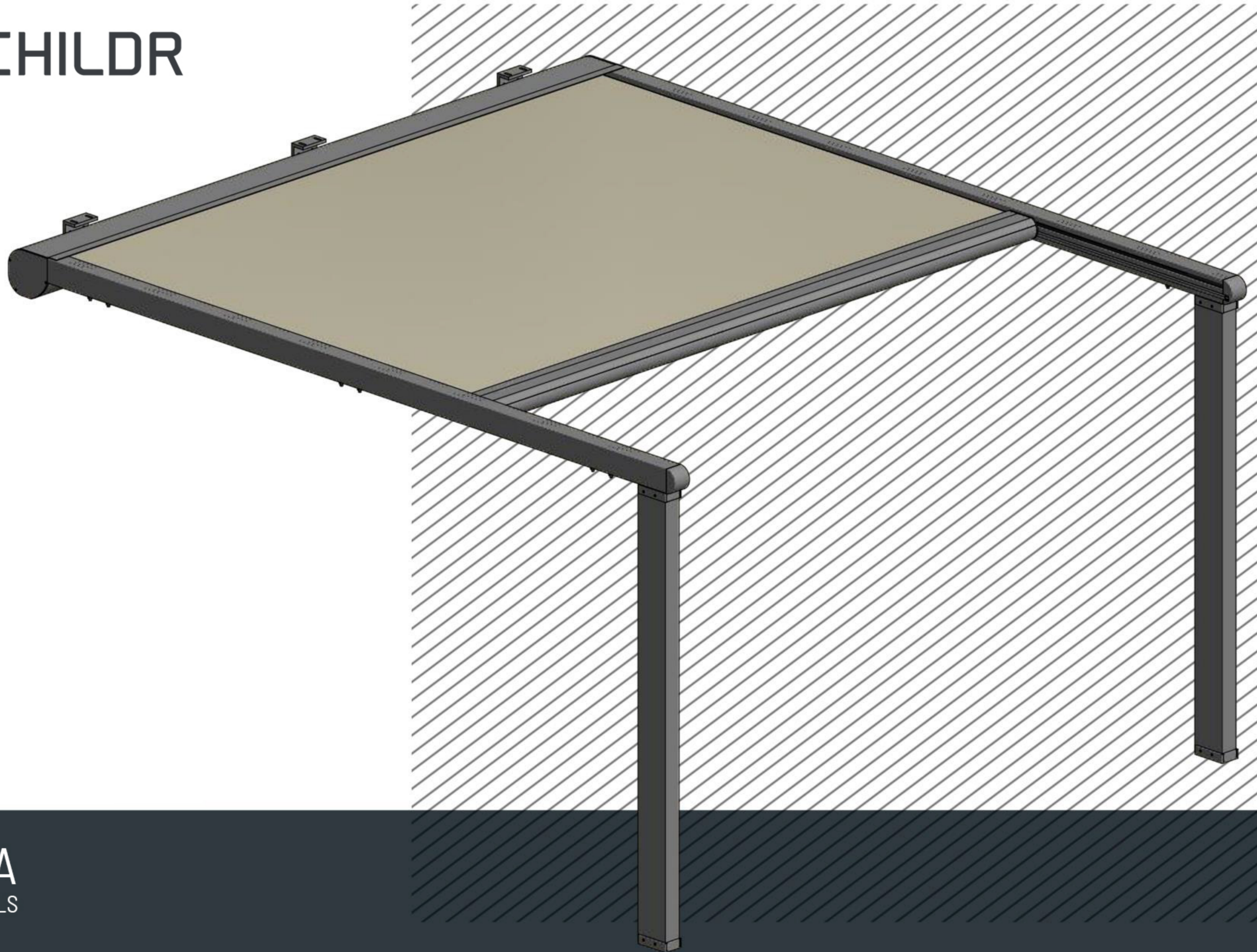
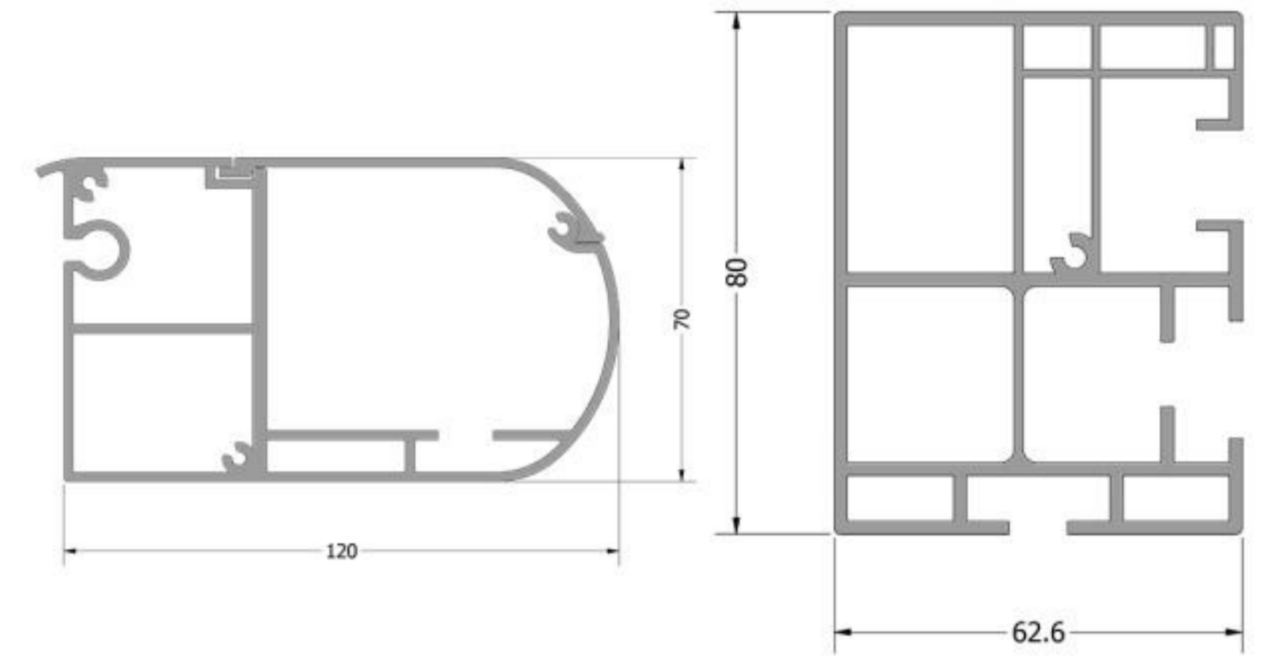
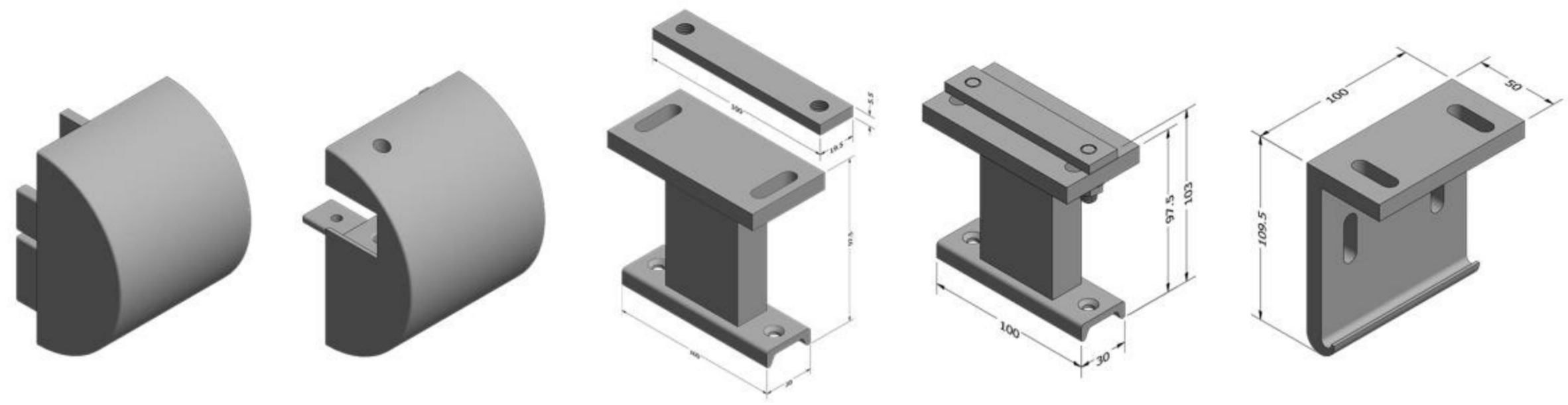
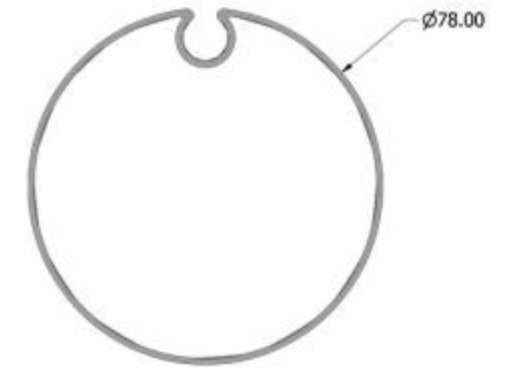
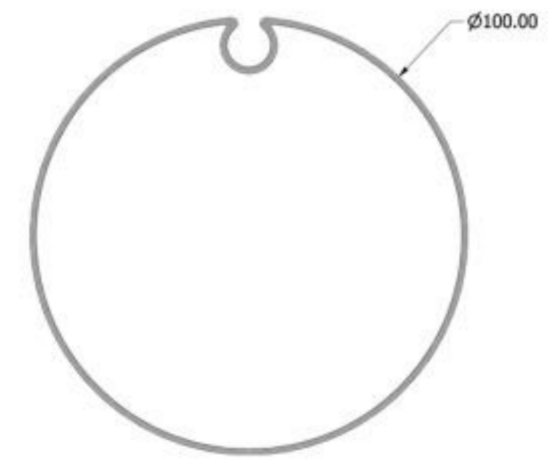
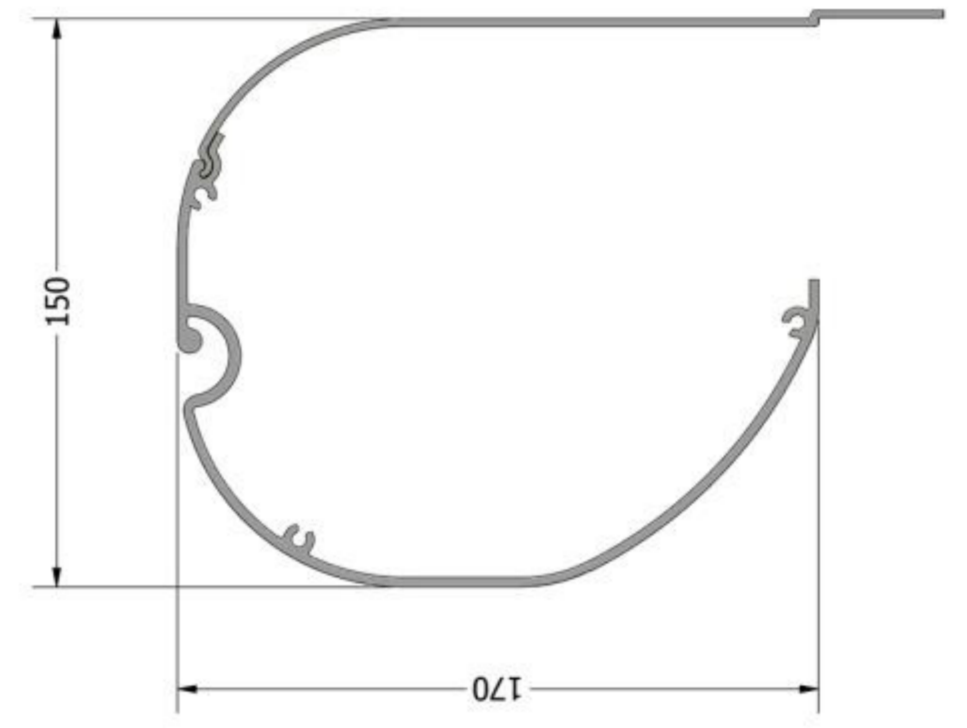
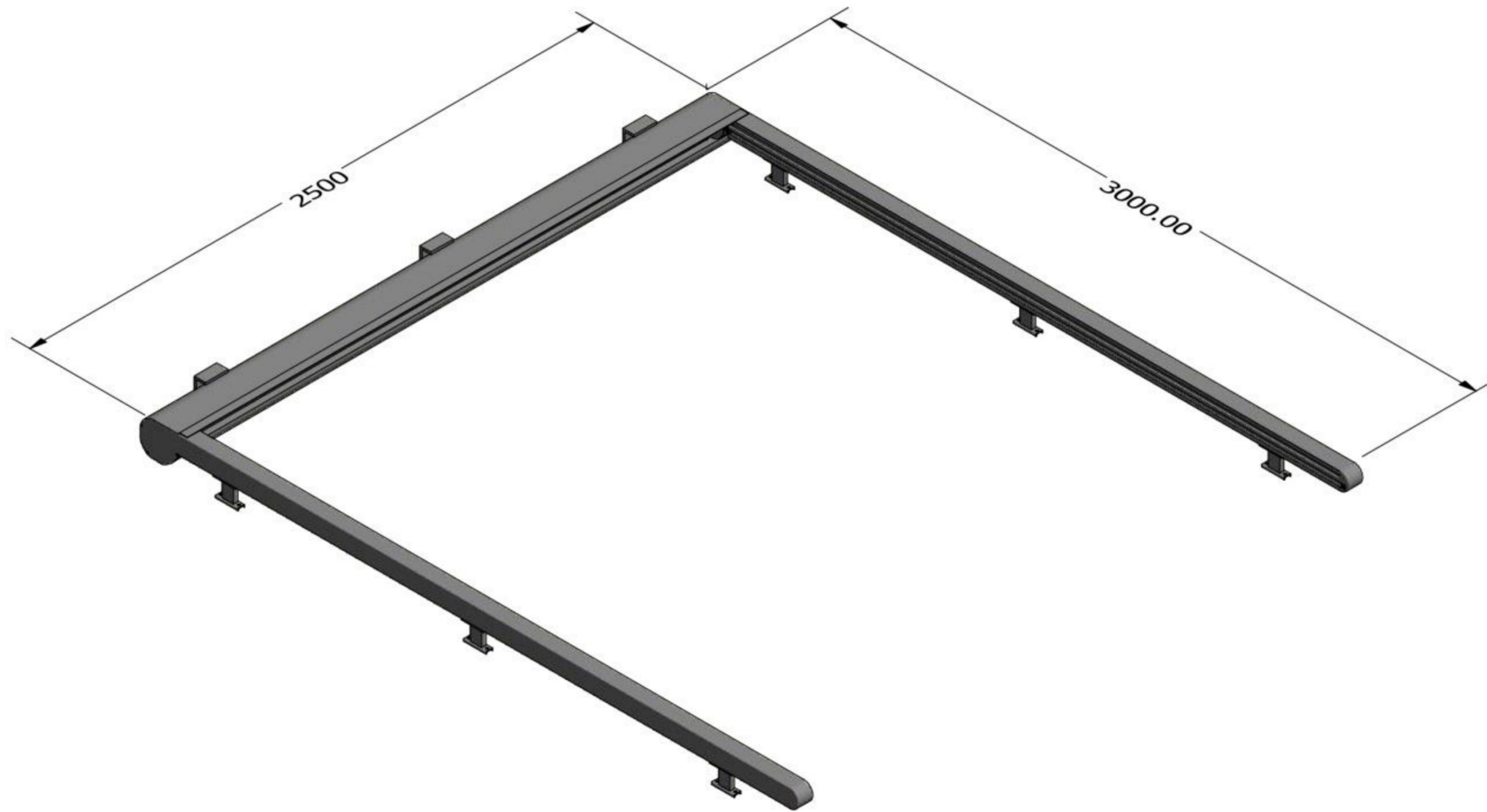


CAPELLA  
TECHNICAL DETAILS

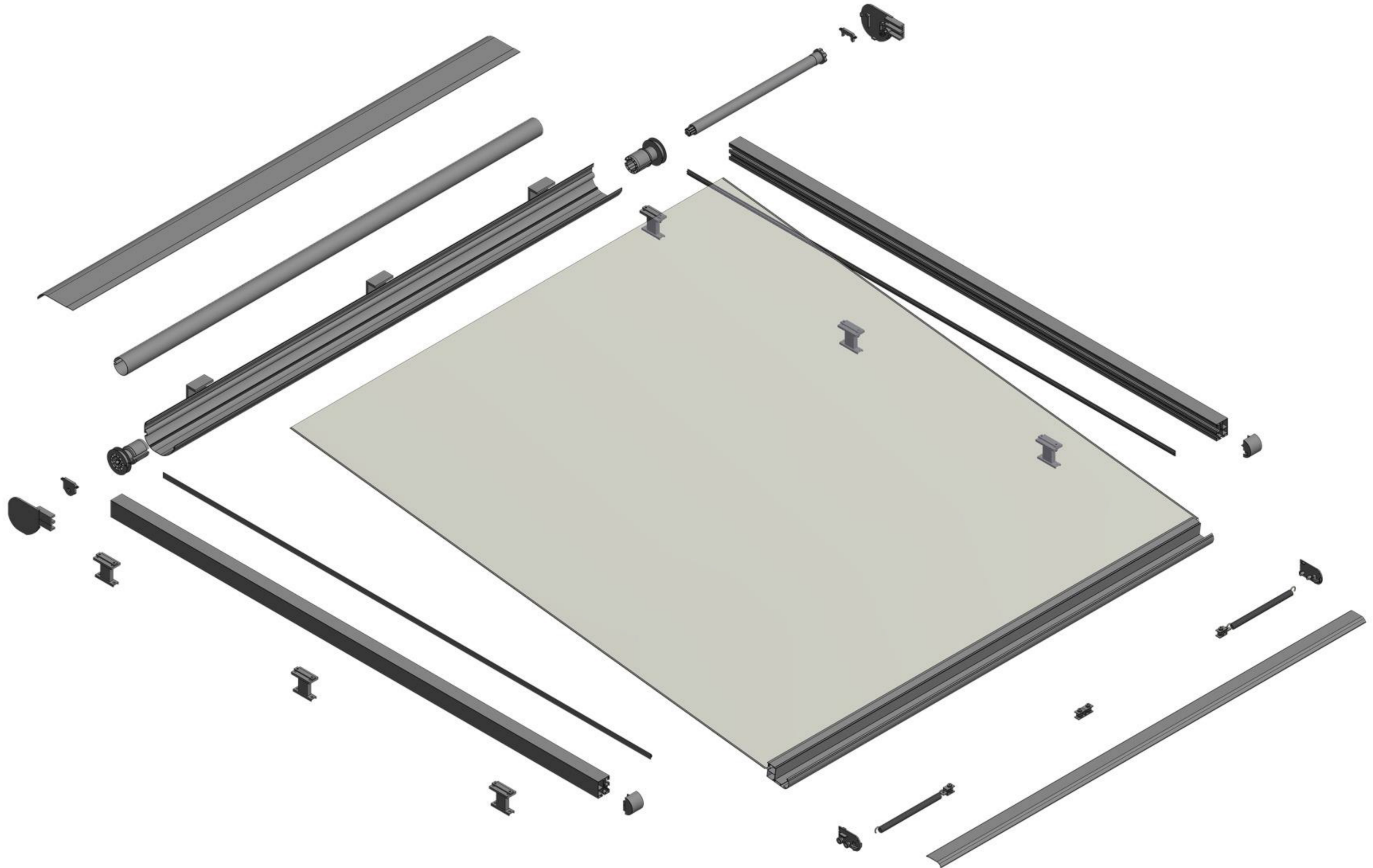


CAPELLA  
TECHNICAL DETAILS



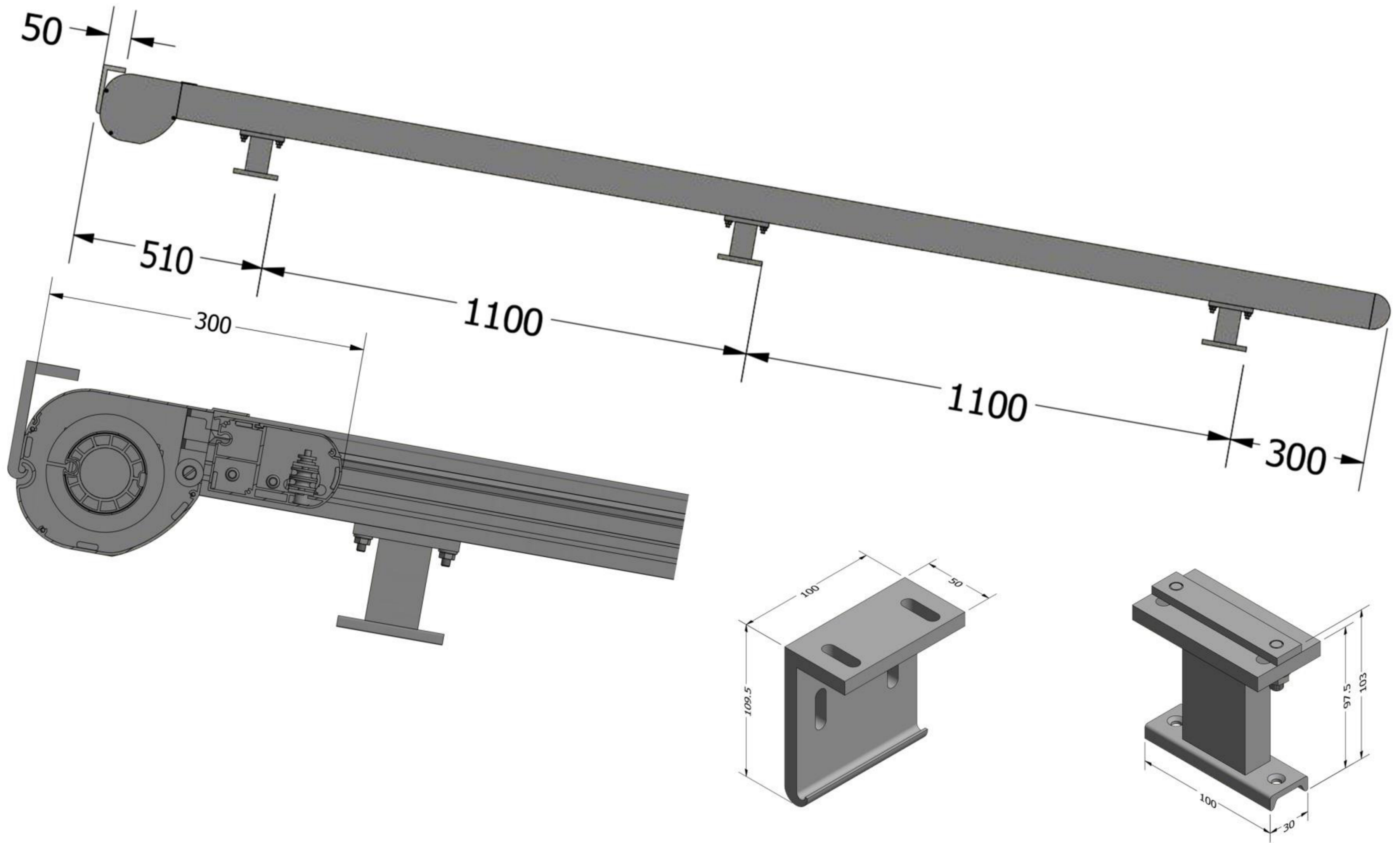
CAPELLA  
TECHNICAL DETAILS





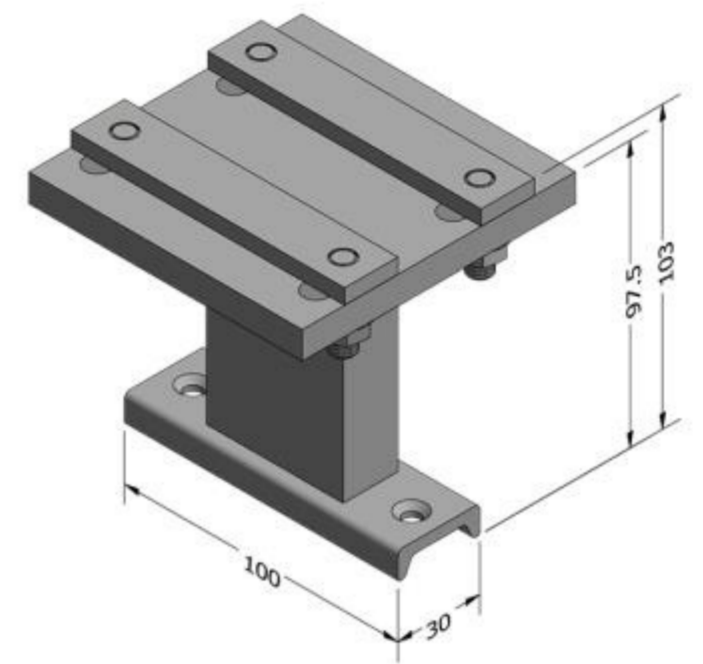
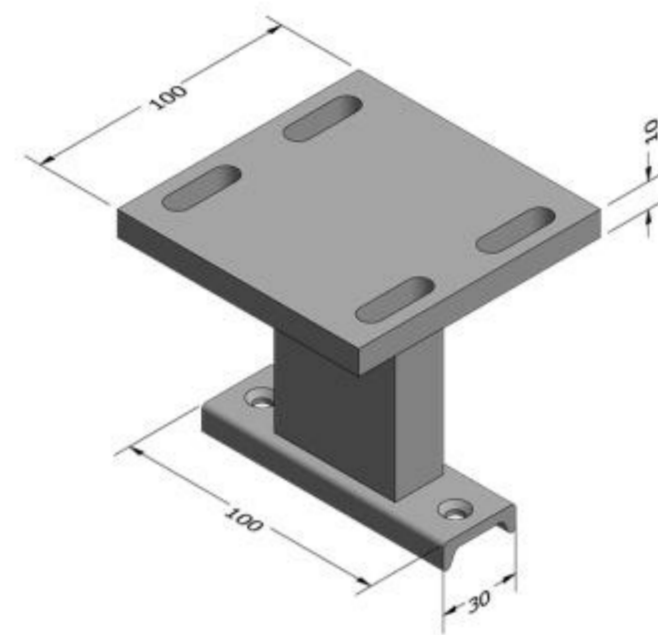
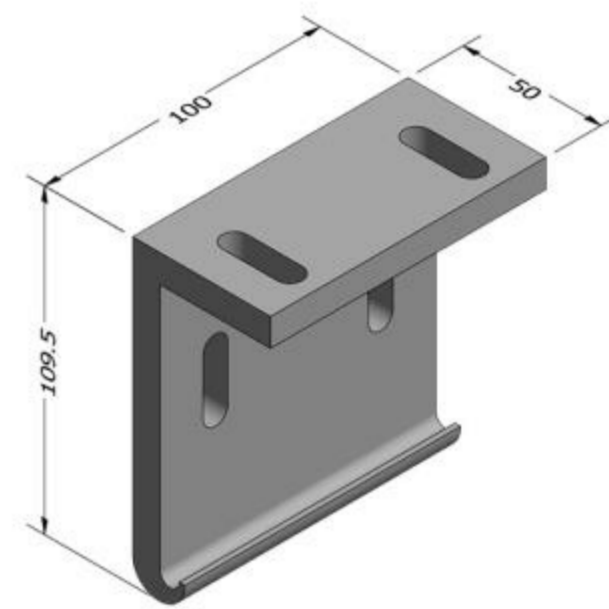
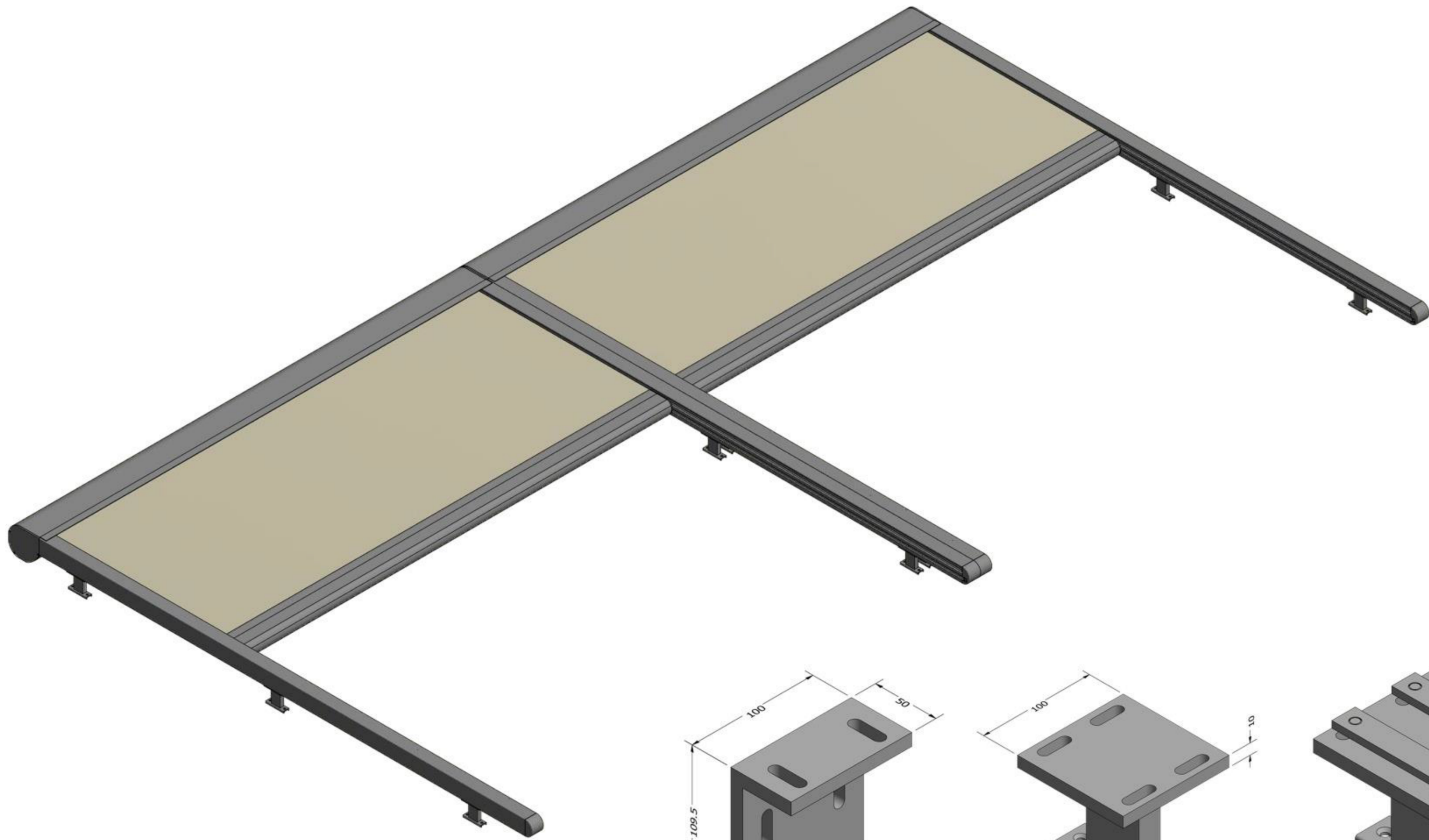
CAPELLA  
TECHNICAL DETAILS

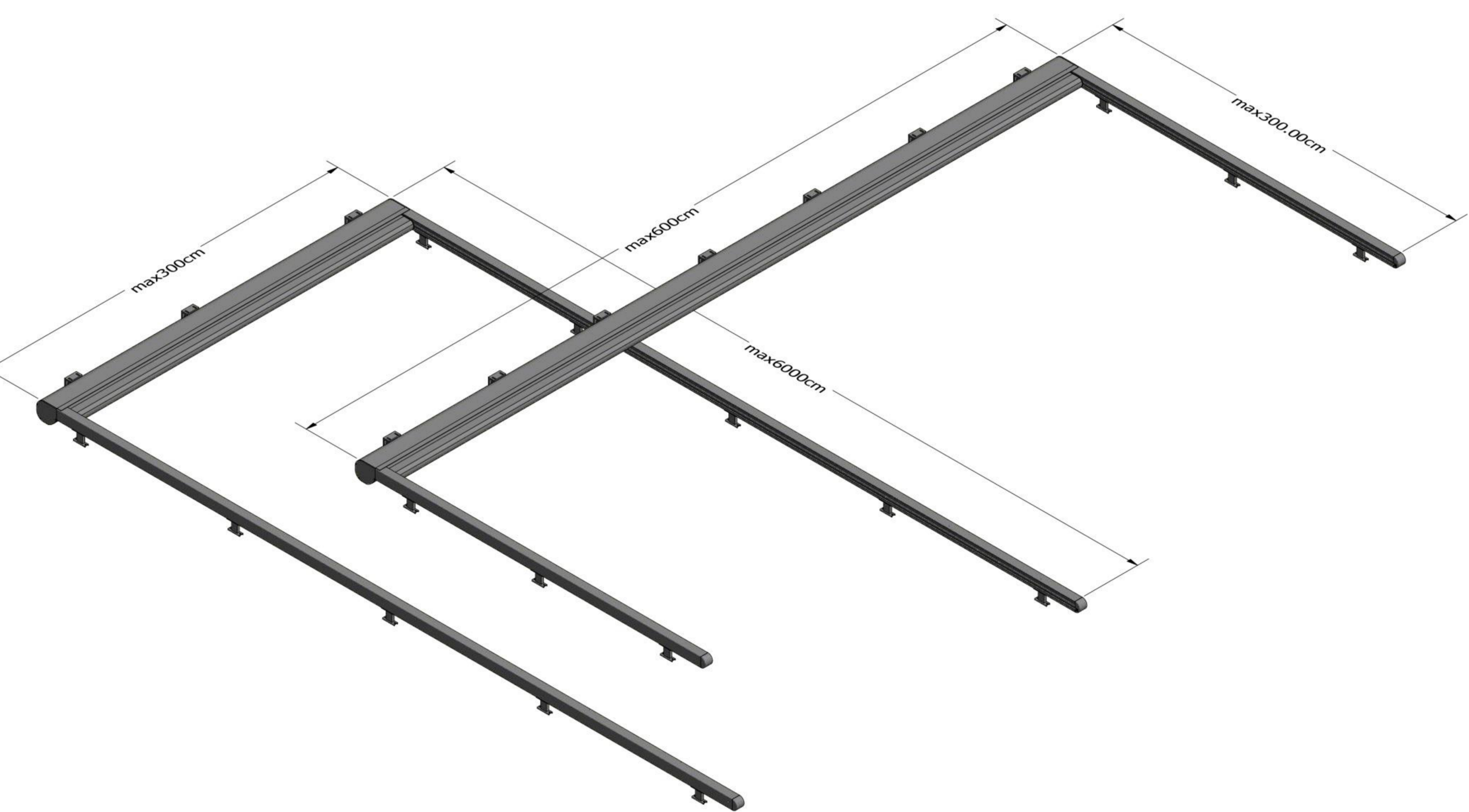




CAPELLA  
TECHNICAL DETAILS

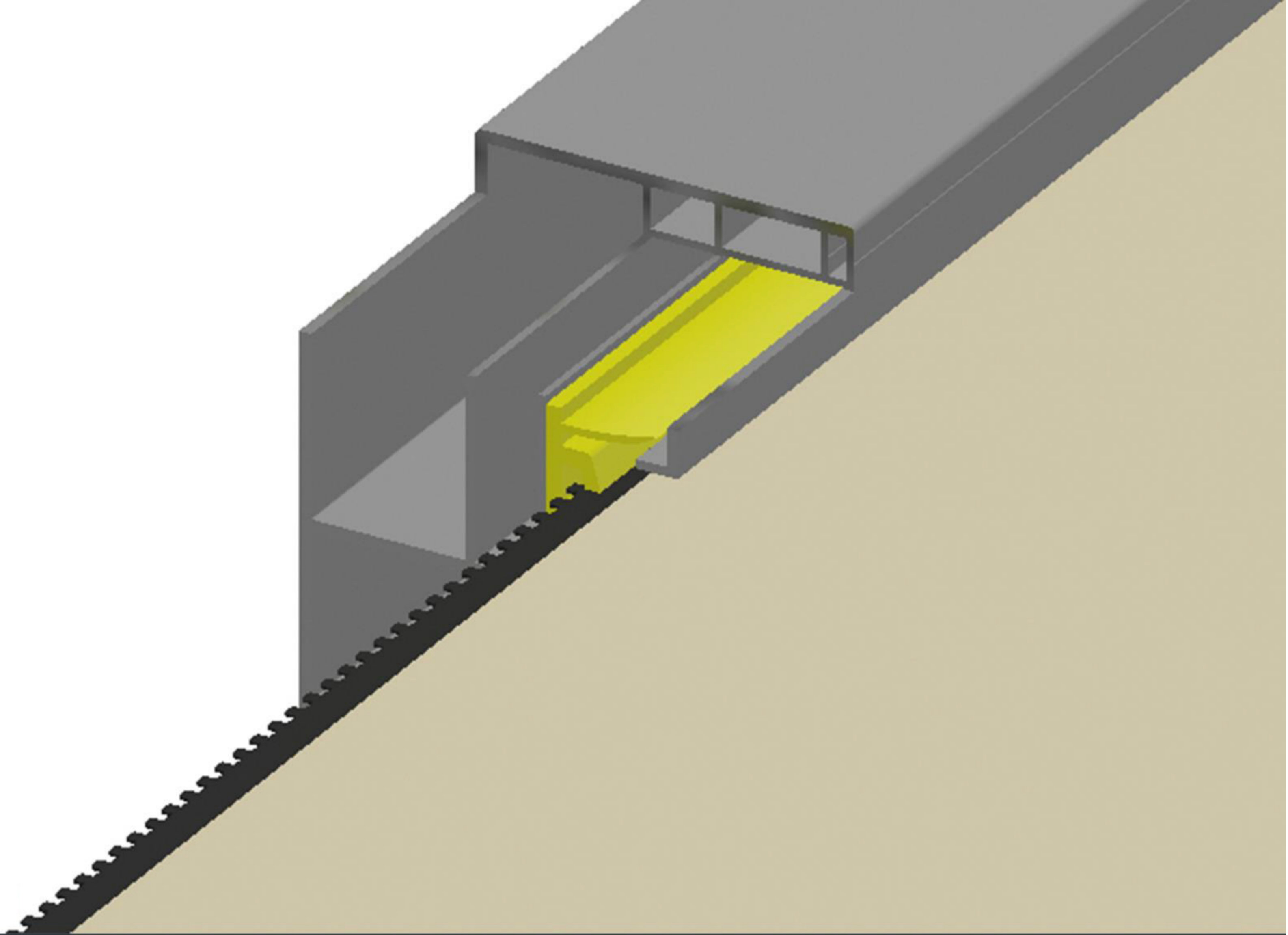






CAPELLA  
TECHNICAL DETAILS





CAPELLA  
TECHNICAL DETAILS







SCHILDR



[www.schildr.global](http://www.schildr.global)

